



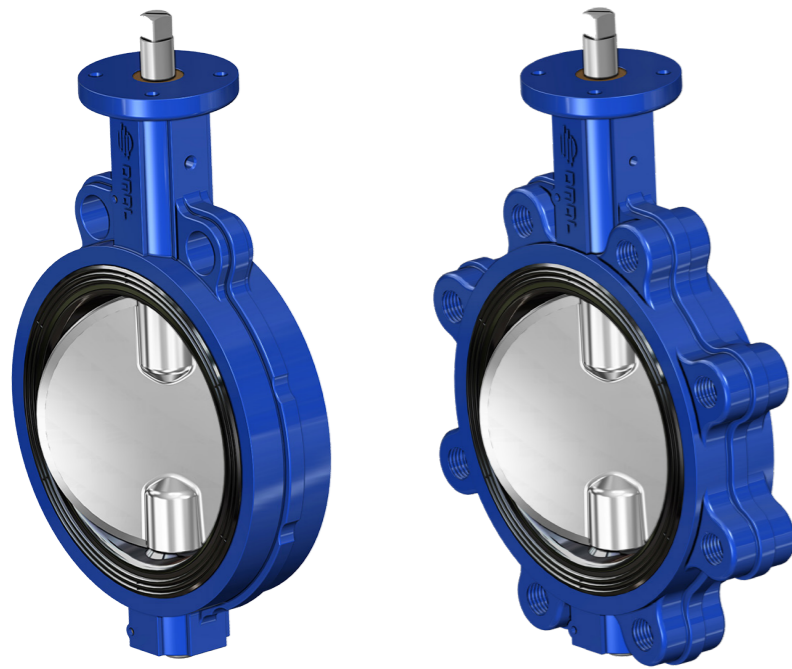
IT VALVOLE A FARFALLA

EN BUTTERFLY VALVES

DE ABSPERRKLAPPEN

ES VÁLVULAS DE MARIPOSA

ITEM 375 - 376 -377 , 385 - 386 -387



| TIPO DI VALVOLA TYPE OF VALVE TYP DER ABSPERRKLAPPE TIPO DE VÁLVULA | PN | CATEGORIA DI RISCHIO RISK CATEGORY BEITRAGSKLASSE CATEGORÍA DE RIESGO | | |
|--|----------|--|---------------------------|----------------------------|
| | | Iª CATEGORIA CATEGORY | IIª CATEGORIA CATEGORY | IIIª CATEGORIA CATEGORY |
| V375 | PN 16 | DN 40 e DN 50 | DN 65 ÷ DN 150 | DN 200 ÷ DN 300 |
| V376 | PN 16 | DN 40 e DN 50 | DN 65 ÷ DN 150 | DN 200 ÷ DN 300 |
| V377 | PN 16 | DN 40 e DN 50 | DN 65 ÷ DN 150 | DN 200 ÷ DN 300 |
| V375 | PN 10 | - | - | DN 200 ÷ DN 600 |
| V376 | PN 10 | - | - | DN 200 ÷ DN 600 |
| V377 | PN 10 | - | - | DN 200 ÷ DN 600 |
| V385 | PN 10-16 | DN 40 e DN 50 | DN 65 ÷ DN 150 | -- |
| V386 | PN 10-16 | DN 40 e DN 50 | DN 65 ÷ DN 150 | -- |
| V387 | PN 10-16 | DN 40 e DN 50 | DN 65 ÷ DN 150 | -- |
| V385 | PN 16 | - | - | DN 200 ÷ DN 300 |
| V386 | PN 16 | - | - | DN 200 ÷ DN 300 |
| V387 | PN 16 | - | - | DN 200 ÷ DN 300 |
| V385 | PN 10 | - | - | DN 200 ÷ DN 300 |
| V386 | PN 10 | - | - | DN 200 ÷ DN 300 |
| V387 | PN 10 | - | - | DN 200 ÷ DN 300 |

OMAL S.p.A.

Headquarters: Via Ponte Nuovo, 11 - 25050 Rodengo Saiano (BS) Italy
 Production Site: Via Brognolo, 12 - 25050 Passirano (BS) Italy
 Ph. +39 030 8900145 · Fax +39 030 8900423 · info@omal.it · www.omal.it

| IT MATERIALI | | |
|--------------|-------------------|--|
| 1 | Corpo (1) | A536 65-45-12 (GGG50) (Equivalente a EN-GJS-450-10 EN-JS 1040) |
| 2 | Lente | A536 65-45-12 (GGG50) - A351 CF8M (AISI316) |
| 3* | Guarnizione | EPDM-NBR |
| 4 | Albero di comando | A276 S42000 (AISI420) (Equivalente a X20CR13; 1.4021) |
| 5 | Albero inferiore | A276 S42000 (AISI420) (Equivalente a X20CR13; 1.4021) |
| 6* | O-ring inferiore | EPDM-NBR (FKM solo se particolare 3 in FKM) |
| 7* | Boccola superiore | Resina epossidica |
| 8* | Boccole guida | Resina epossidica con PTFE per misure da DN40 a DN300; Bronzo per misure da DN350 a DN600 |
| 9* | Spine elastiche | Acciaio inox |
| 10* | O-ring albero | EPDM-NBR |

* Particolari del kit di ricambio KGF...

(1) Da DN 250 a DN 600 materiale corpo in GJS400-18-LT

| EN MATERIALS | | |
|--------------|--------------|---|
| 1 | Body (1) | A536 65-45-12 (GGG50) (Equivalent to EN-GJS-450-10 EN-JS 1040) |
| 2 | Disc | A536 65-45-12 (GGG50) - A351 CF8M (AISI316) |
| 3* | Liner | EPDM-NBR |
| 4 | Upper shaft | A276 S42000 (AISI420) (Equivalent to X20CR13; 1.4021) |
| 5 | Lower shaft | A276 S42000 (AISI420) (Equivalent to X20CR13; 1.4021) |
| 6* | Lower O-ring | EPDM-NBR (FKM with part. 3 in FKM) |
| 7* | Upper bush | Epoxy resin |
| 8* | Shaft bush | Epoxy resin with PTFE from DN40 to DN300; Bronze from DN350 to DN600 |
| 9* | Elastic pin | Stainless steel |
| 10* | Shaft O-ring | EPDM-NBR |

* Components of spare part kit KGF...

(1) From DN 250 to DN 600 body material in GJS400-18-LT

| DE WERKSTOFFE | | |
|---------------|---------------------|---|
| 1 | Gehäuse (1) | A536 65-45-12 (GGG50) (EN-GJS-450-10 EN-JS 1040 entsprechend) |
| 2 | Klappe | A536 65-45-12 (GGG50) - A351 CF8M (AISI316) |
| 3* | Dichtung | EPDM-NBR |
| 4 | Welle (obere Teil) | A276 S42000 (AISI420) (X20CR13; 1.4021 gleichbedeutend) |
| 5 | Welle (untere Teil) | A276 S42000 (AISI420) (X20CR13; 1.4021 gleichbedeutend) |
| 6* | Unter O-Ring | EPDM-NBR (FKM nur wenn auch Teil 3 auf FKM ist) |
| 7* | Obere Buchse | Epoxidharz |
| 8* | Führungsbuchsen | Epoxidharz mit PTFE für NW ab 40 bis 300; Bronze für NW ab 350 bis 600 |
| 9* | Spannstift | Edelstahl |
| 10* | O-ring Welle | EPDM-NBR |

* Ersatzteile (Komponente von KGF... Ersatz-Kit)

(1) Von DN 250 bis DN 600 Gehäuse material in GJS400-18-LT

| ES MATERIALES | | |
|---------------|-----------------------|---|
| 1 | Cuerpo (1) | A536 65-45-12 (GGG50) (Equivalente a EN-GJS-450-10 EN-JS 1040) |
| 2 | Disco | A536 65-45-12 (GGG50) - A351 CF8M (AISI316) |
| 3* | Junta | EPDM-NBR |
| 4 | Eje superior | A276 S42000 (AISI420) (Equivalente a X20CR13; 1.4021) |
| 5 | Eje inferior | A276 S42000 (AISI420) (Equivalente a X20CR13; 1.4021) |
| 6* | Junta tórica inferior | EPDM-NBR (FKM sólo si detalle 3 de FKM) |
| 7* | Cojinete superior | Resina epoxi |
| 8* | Cojinete guía | Resina epoxi con PTFE para tamaños de DN40 a DN300; Bronce para tamaños de DN350 a DN600 |
| 9* | Pasadores elásticos | Acero inoxidable |
| 10* | Junta tórica del eje | EPDM-NBR |

* Detalles del kit de repuesto KGF...

(1) Desde DN 250 hasta DN 600 material del cuerpo en GJS400-18-LT

KIT DI RICAMBIO SPARE PART KIT ERSATZTEILEN KIT DE REPUESTO

| | | | | | | | |
|---------|----------|---------|---|-------------|-------------|---|---|
| K | G | F | - | 0 | 0 | - | - |
| N = NBR | E = EPDM | V = FKM | | 68 = DN 40 | 77 = DN 300 | | |
| | | | | 69 = DN 50 | 78 = DN 350 | | |
| | | | | 70 = DN 65 | 79 = DN 400 | | |
| | | | | 71 = DN 80 | 80 = DN 450 | | |
| | | | | 72 = DN 150 | 81 = DN 500 | | |
| | | | | 75 = DN 200 | 82 = DN 600 | | |
| | | | | 76 = DN 250 | | | |

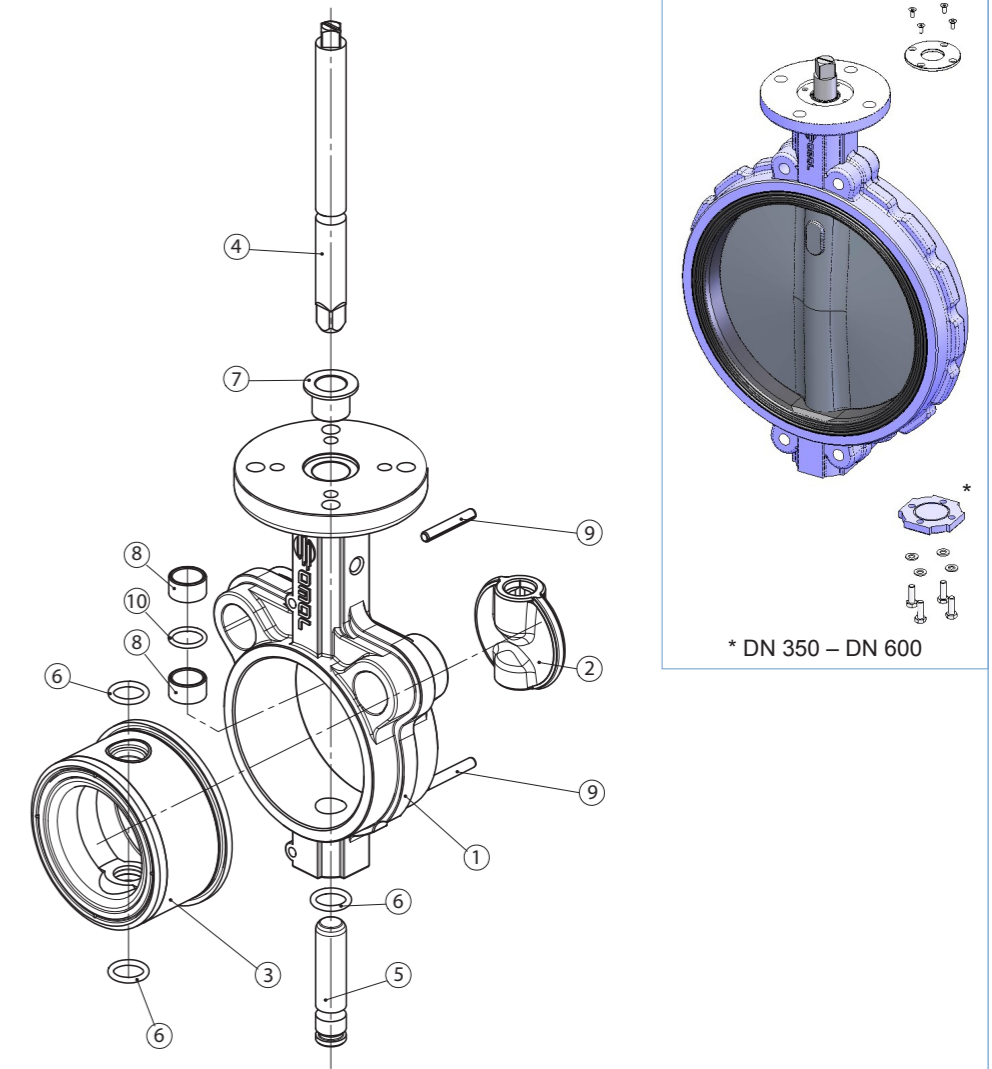


DIAGRAMMA PERDITA DI CARICO / PORTATA
 PRESSURE LOSS / FLOW DIAGRAM
 DRUCKVERLUST DIAGRAMM
 ESQUEMA DE PÉRDIDA DE CARGA / FLUJO DE PRESION

